

# ELFA FAFISA

Stereo  
**Syntorchestra**

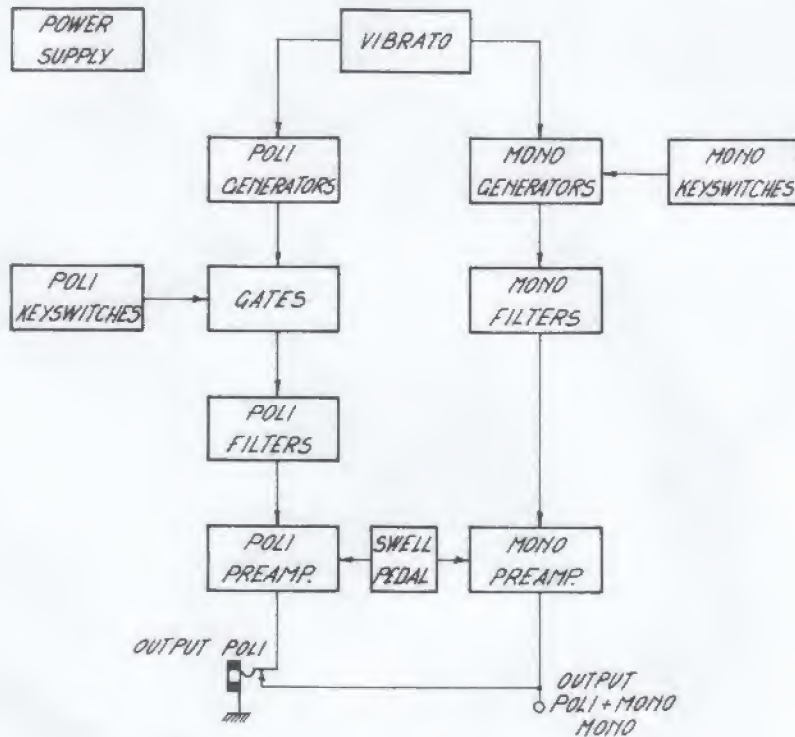
1<sup>a</sup> Edizione

---

**SCHEMATIC DIAGRAMS**

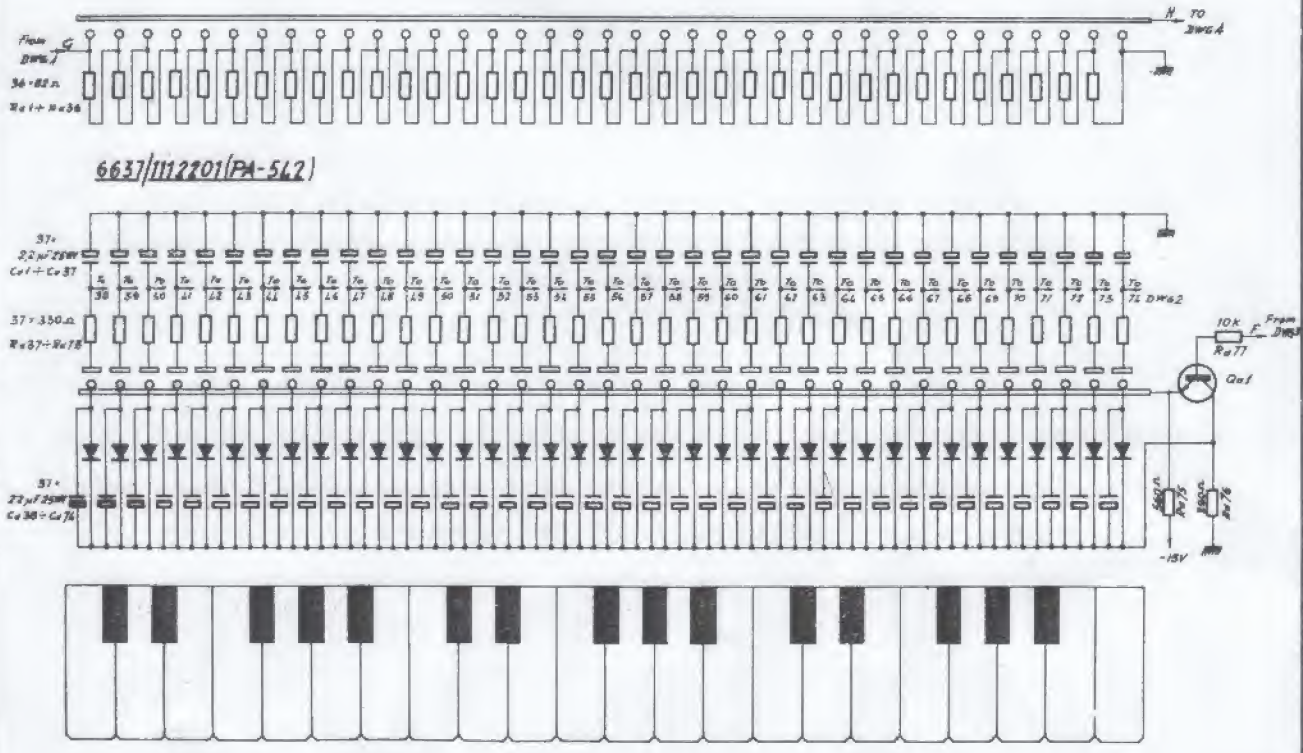
---

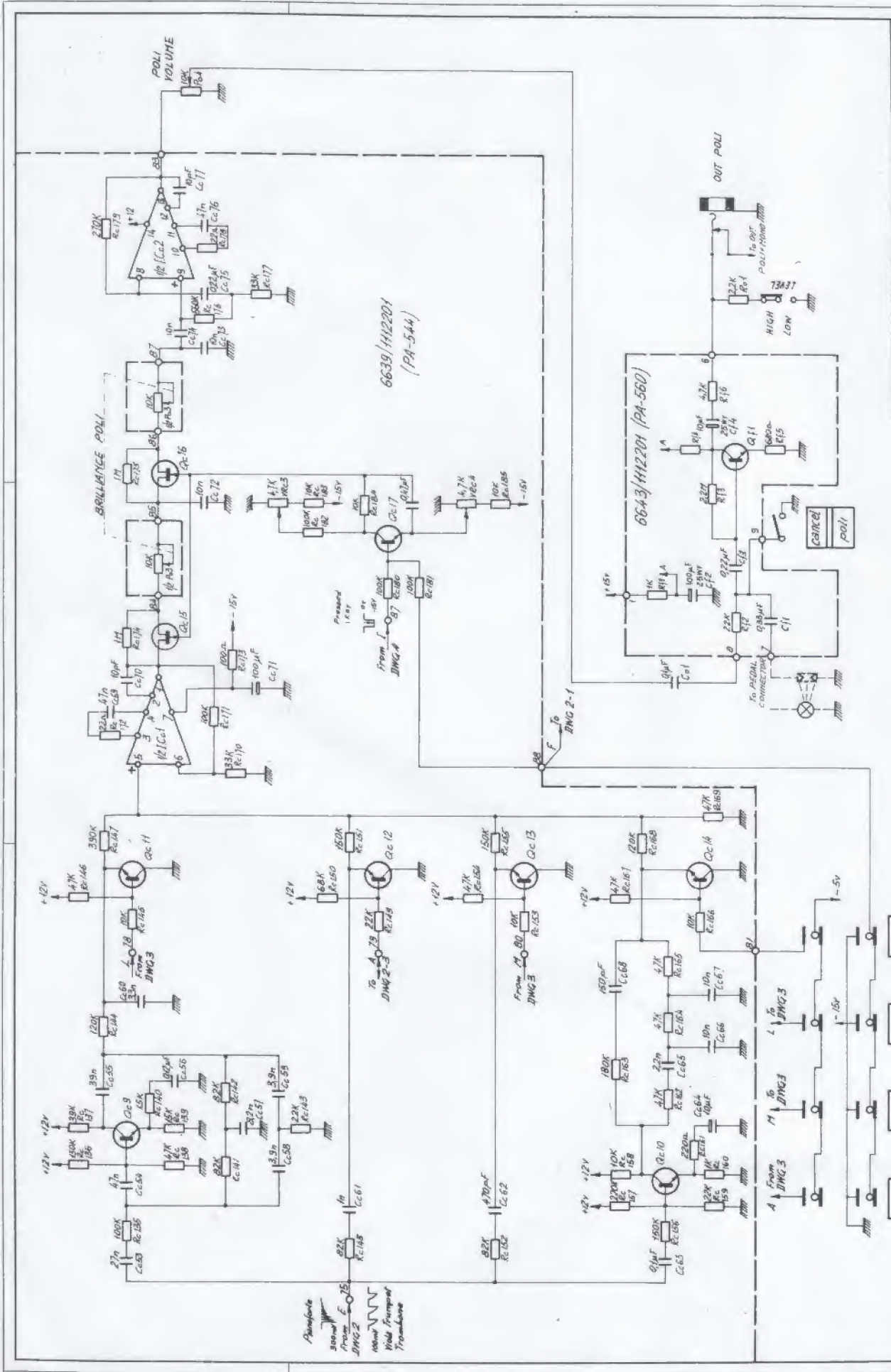
# BLOCK DIAGRAM



MOO. SYNTORCHESTRA	SERIAL No	DRAWN BY	REVISION	DATE
CODE		SE/201		
D				

NOTES: 1) All resistors 1/8 W unless otherwise indicated.  
 2) All capacitors shown in DFF position.  
 3) All inductances shown in DFF position.  
 4) See parts list for component part numbers.





W.D. SYNTOR/CHICESTRA

DATE	REVISION	SERIAL No.
01/20/68	1	
05/20/68	2	
06/20/68	3	

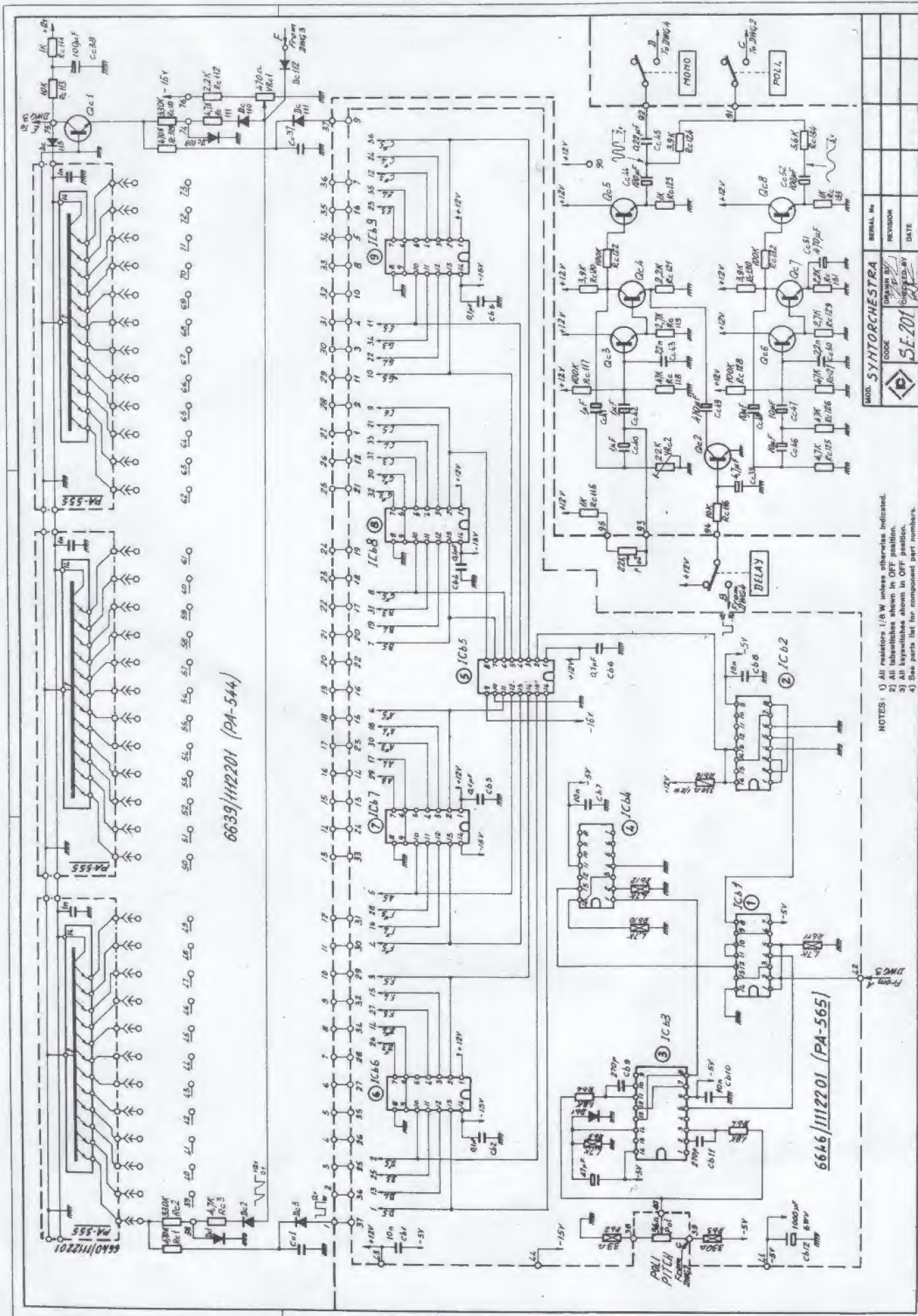
CODE: SC-201

- NOTES: 1) All resistors 1/8W unless otherwise indicated.  
 2) All capacitors shown in OPF position.  
 3) All electrolytics shown in OPF position.  
 4) See parts list for component part numbers.

Transients  
 300ms  
 From JWG 2  
 100ms  
 High Imped  
 Transients

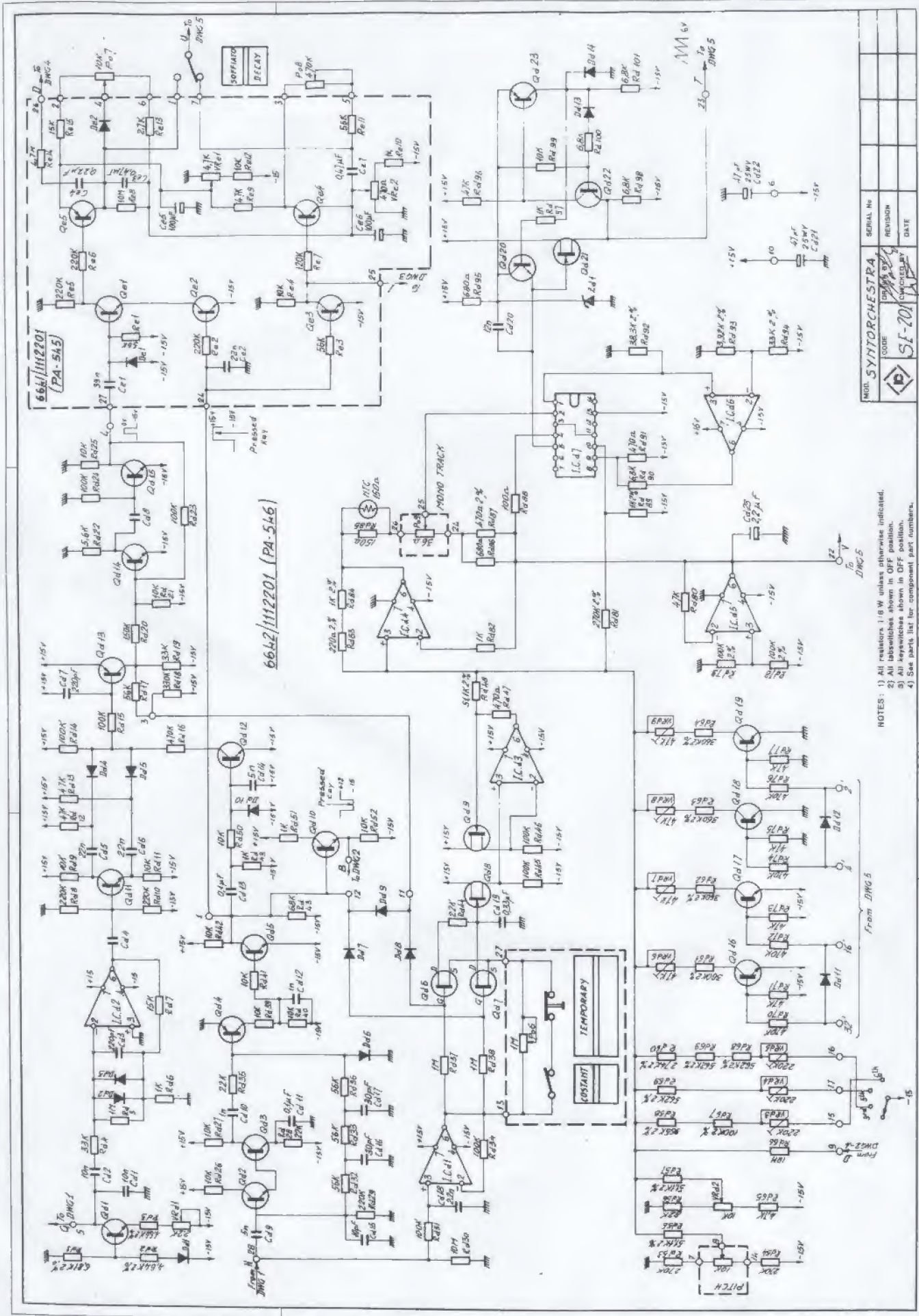
From JWG 3  
 From JWG 3  
 From JWG 3  
 From JWG 3  
 From JWG 3

trampoline  
 piano  
 trumpet  
 viola



NOTES: 1) All resistors 1/8 W unless otherwise indicated.  
 2) All tabswitches shown in OFF position.  
 3) All keyswitches shown in OFF position.  
 4) See parts list for component part numbers.

MOD. SYNTORCHESTRA	SERIAL NO.
DATE	REVISION
5E201	DATE

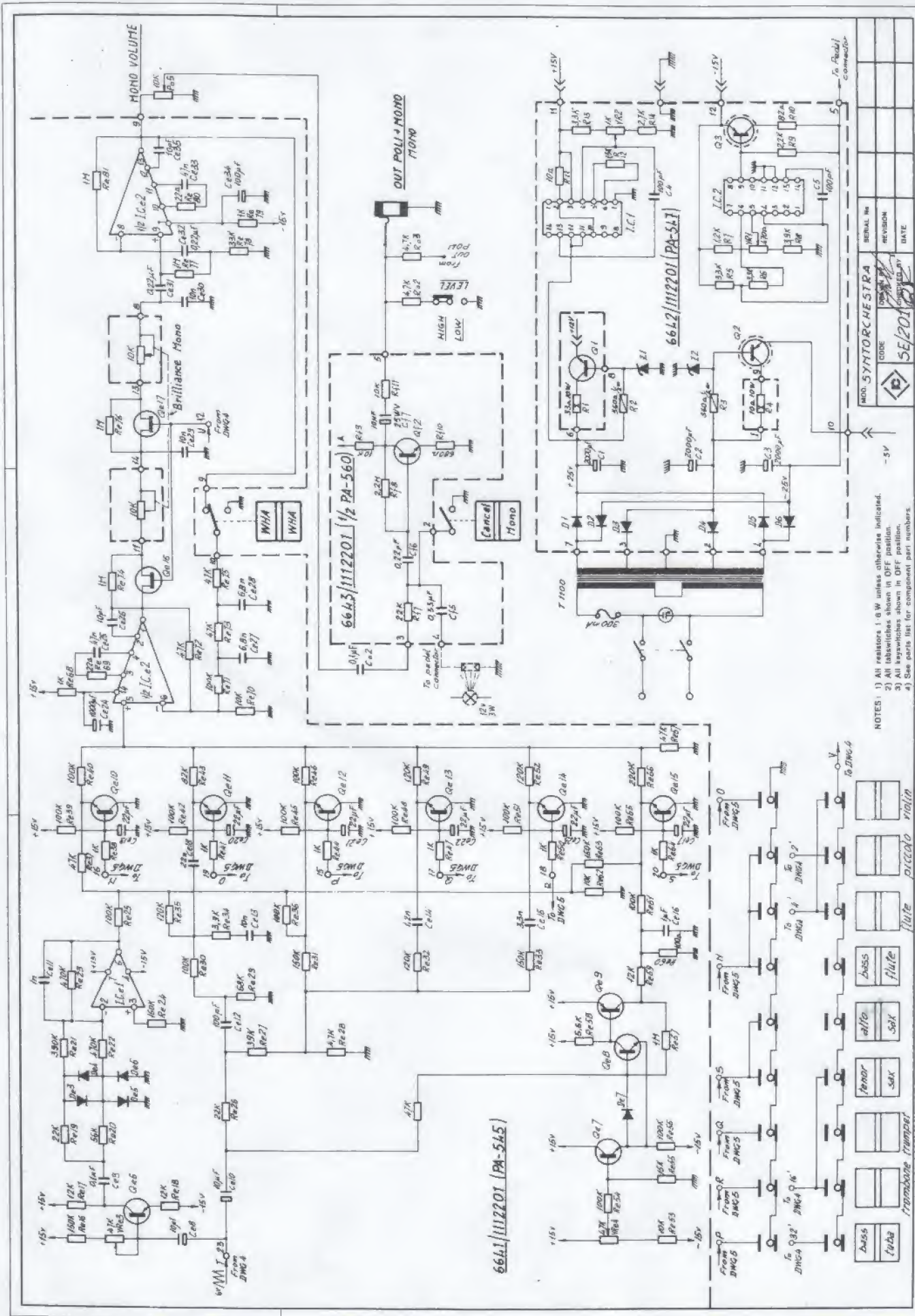


6642/112201  
(PA-545)

6642/112201 (PA-546)

MOUL	SYNCHRESTRA	SERIAL No	
CODE	51-201	REVISION	
		DATE	

- NOTES: 1) All resistors 1/6W unless otherwise indicated.  
 2) All switches shown in OFF position.  
 3) All switches shown in OFF position.  
 4) See parts list for component part numbers.



NOTES: 1) All resistors 1/8 W unless otherwise indicated.  
 2) All tabularities shown in DFF position.  
 3) All keyswitches shown in DFF position.  
 4) See parts list for component part numbers.

Instrument	66L1/1112201 (PA-545)	66L2/1112201 (PA-560)	MONO VOLUME	Brilliance Mono	MONO
transverse flanger	100K	100K	100K	100K	100K
bass tuba	100K	100K	100K	100K	100K
bass	100K	100K	100K	100K	100K
tenor sax	100K	100K	100K	100K	100K
alto sax	100K	100K	100K	100K	100K
bass flute	100K	100K	100K	100K	100K
flute	100K	100K	100K	100K	100K
piccolo	100K	100K	100K	100K	100K
violin	100K	100K	100K	100K	100K

MOD. SYNTORCHESTRA  
 CODE 10000000000000000000  
 SERIAL IN REVISION DATE  
 5E/201

Schem.Ref.	Circuit	Type	Part Code
<u>CHASSIS</u>	<u>POWER SUPPLY (DWG 5/SE 201)</u>		<u>8000/1112201</u>
Q 1	Series Stabilizer.....	Westinghouse 156 - 043 RCA 2N 3055.....	W/1800-W/1801
<u>PA 547</u>	<u>VOLTAGE REGULATOR BOARD (DWG 5/SE 201)</u>		<u>6645/1112201</u>
Q2 - Q3	Series Stabilizer.....	BC 287.....	W/1702
I.C.1-I.C.2	Series Stabilizer.....	BC 303 - 6.....	W/1209
D1 + D6	Rectifier Diodes.....	TEXAS-SN 72723N.....	B/1000 B/1001
Z 1	Zener Diode (13V - 1W).....	IX 9809.....	B/1418
Z 2	Zener Diode (5,6V - 400mW).	ITT - ZY 13.....	B/1309
		ITT - ZPD 5,6.....	
<u>PA 542</u>	<u>KEYSWITCH (DWG 1/SE 201)</u>		<u>6637/1112201</u>
Q a1	Switch.....	BC 209 - B.....	W/1407
		BC 239 - B.....	
D a1+D a37	Diodes.....	S.G.S. IX 9809.....	B/1000
		TEXAS 1N 4148.....	B/1003
<u>PA 544</u>	<u>ELECTRONIC SWITCHING POLY (DWG 2-3/SE 201)</u>		<u>6639/1112201</u>
Q c1	Gate.....	} BC 209 - B.....	W/1407
Q c2	Switch.....		
Q c3-Q c4	Oscillator Vibrato.....		
Q c5	Buffer.....		
Q c6-Q c7	Oscillator Vibrato.....		
Q c8	Buffer.....		
Q c9	Active Filter.....		
Q c10	Preamplifier.....		
Q c11+Q c14	Mute Switches.....		
Q c15-Q c16	Dual Fet.....		
Q c17	Switch.....	TEXAS - TIS 70.....	W/2001
I.C. c1	Preamplifier.....	BC 209 - B.....	W/1407
		BC 239 - B.....	
		S.G.S. TBA 231.....	W/1201
<u>PA 555</u>	<u>GATE BOARD (DWG 2/SE 201)</u>		<u>6640/1112201</u>
I.C.	Gate To 12 emitter.....	ITT-TDA 0470.....	W/1207

Schem.Ref.	Circuit	Type	Part Code
<u>PA 565</u>	<u>POLYPHONIC TONE GENERATOR (DWG 2/SE 201)</u>		<u>6646/1112201</u>
I.C. b1	Nand Gate.....	SN 7400.....	W/1000
I.C. b2	Fase Generator.....	SN 29858N.....	W/1011
I.C. b3	Dual On-Shot.....	SN 29730N.....	W/1009
I.C. b4	Dual J-K Flip - Flop.....	SN 7473.....	W/1002
I.C. b5	G.I. Synthesizer.....	G.I.E. AY-1-0212.....	W/1105-1
I.C. b6+9	Frequency Dividers.....	G.I.E. AY-1-5050.....	W/1100 W/1101
D b1	Diode.....	IX 9808..... 1N 4148.....	B/1000-B/1003
<u>PA 560</u>	<u>POLY - MONO PREAMPLIFIER (DWG 3-5/SE 201)</u>		<u>6643/1112201</u>
Q f1-Q f2	Preamplifiers.....	BC 209 - B..... BC 239 - B.....	W/1407
<u>PA 546</u>	<u>MONOPHONIC TONE GENERATOR (DWG 4/SE 201)</u>		<u>6642/1112201</u>
Q d1	Current Reference Generator } Oscillator.....	BC 209 - B..... BC 239 - B.....	W/1407
Q d2-Q d3	Integrator.....	BC 154.....	W/1500
Q d4	Switch.....	BC 209 - B..... BC 239 - B.....	W/1407
Q d5	Switch Fet.....	AMELCO 2N 4304.....	W/2000
Q d6-Q d7	Dual Fet.....	TEXAS TIS 70.....	W/2001
Q d8-Q d9	Switch.....	BC 209 - B..... BC 239 - B.....	W/1407
Q d10	Preamplifier.....	BC 209 - B..... BC 239 - B.....	W/1407
Q d11	Switch.....	BC 154.....	W/1500
Q d12	Switch.....	BC 209 - B..... BC 239 - B.....	W/1407
Q d13	Switch.....	BC 154.....	W/1500
Q d14-Q d15	One-Shot.....	BC 209 - B..... BC 239 - B.....	W/1407
Q d16-Q d17	Switches.....	BC 154.....	W/1500
Q d18-Q d19	Switches.....	BC 209 B - BC 239 B...	W/1407
Q d20	Switch.....	AMELCO 2N 4304.....	W/2000
Q d21	Fet.....	BC I54.....	W/1500
Q d22-Q d23	Switches.....	TEXAS SN 72741 P.....	W/1210
I.C. d1	Buffer.....	FAIRCHILD 741 TC.....	
I.C. d2	Preamplifier.....		
I.C. d3	Sample And-Hold.....		
I.C. d4	Voltage Summer.....		
I.C. d5-6	Reference Voltage Generator		
I.C. d7	Transistor Arrays.....	R.C.A. CA 3046.....	W/1211
Z d1	Zener Diode (6,2V-1W).....	ITT ZY 6,2.....	B/1410
D d1+D d14	Diodes.....	S.G.S. IX 9809..... FAIRCHILD BA 130.....	B/1000-B/1003



Schem.Ref.	Circuit	Type	Part Code
PA 545	<u>MONOPHONIC FILTERS (DWG 4-5/SE 201)</u>		<u>6641/1112201</u>
Q e1+Q e4	Switches.....	BC 209 - B.....	W/1407
		BC 239 - B.....	
Q e5	Switch.....	BC 154.....	W/1500
Q e6	Triangle Wave Shaper.....	} BC 209 - B.....	W/1407
Q e7+Q e8	Trigger.....		
Q e9	Trigger.....	BC 154.....	W/1500
Q e10+Q e15	Mute Switches.....	BC 209 - B.....	W/1407
		BC 239 - B.....	
Q e16-Q e17	Dual Fet.....	TEXAS - TIS 70.....	W/2001
I.C. e1	Sine Wave Shaper.....	SN 72741 P.....	W/1210
I.C. e2	Preamplifier.....	SN 76131.....	W/1201
D e1+D e7	Diodes.....	S.G.S. IX 9809.....	B/1000-B/1003
		FAIRCHILD BA 130.....	